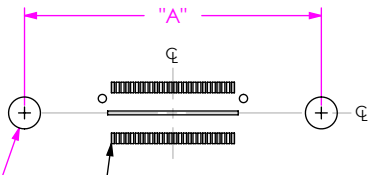


RECOMMENDED LAYOUT FOR -DV SCREW DOWN OPTIONS

( $\phi$ .166[4.22] HOLES CENTERED ON QXSS LAYOUT)  
 (SHADED POSITIONS GROUNDED ON 6QDPS SERIES)

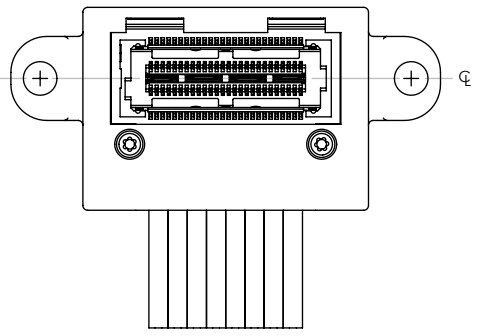
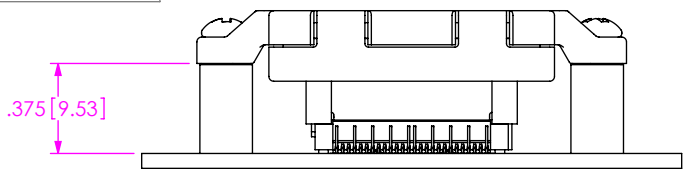


REFERENCE RECOMMENDED QXSS PCB LAYOUT

$\phi$ .166 [4.22]  
 NPTH (TYP)  
 (FOR KFE-440-12ET)

TABLE 1	
No. OF POSITIONS	"A"
-016	1.546 [39.27]
-032	2.386 [60.60]
-048	3.226 [81.94]
-064	4.066 [103.28]

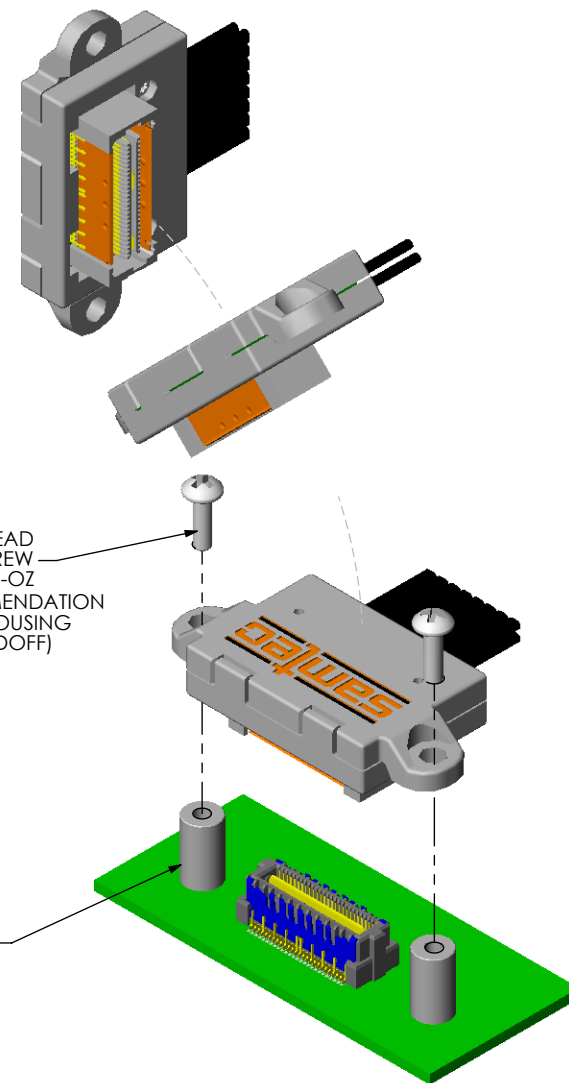
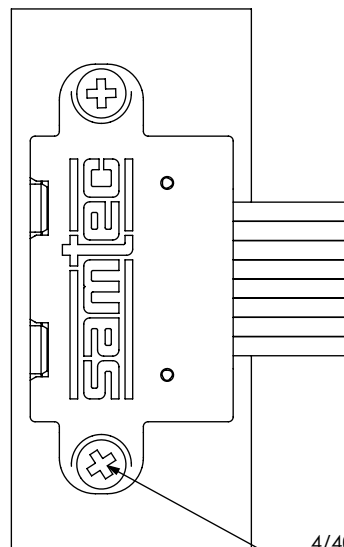
DO NOT SCALE FROM THIS PRINT



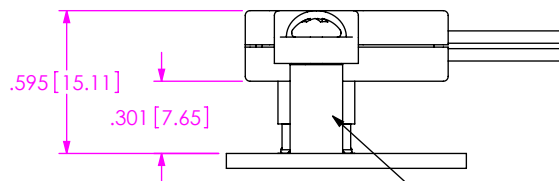
NOTE:  
 THE PEM NUT AND MACHINE SCREW (NOT SUPPLIED BY SAMTEC) SPECIFIED ON THIS PRINT WILL WORK FOR THIS APPLICATION; HOWEVER, THE CUSTOMER IS FREE TO USE OTHER HARDWARE ACCEPTABLE TO THEM AS MOST OF THIS IS COMMODITY.

6QDPX-DV WITH ANY SCREW-DOWN OPTION

NOTE: ALL DIMENSIONS ARE FOR REFERENCE ONLY



4/40 x 5/16" PHIL. HEAD ROUND MACH. SCREW  
 MAX TORQUE 2-4 IN-OZ  
 (MAX TORQUE RECOMMENDATION CAN BE INCREASED IF HOUSING BOTTOMS OUT ON STANDOFF)



KFE-440-12ET PEM SELF-CLENCHING FASTENERS  
 (www.pemnet.com)

PROPRIETARY NOTE

THIS DOCUMENT CONTAINS INFORMATION CONFIDENTIAL AND PROPRIETARY TO SAMTEC, INC. AND SHALL NOT BE REPRODUCED OR TRANSFERRED TO OTHER DOCUMENTS OR DISCLOSED TO OTHERS OR USED FOR ANY PURPOSE OTHER THAN THAT WHICH IT WAS OBTAINED WITHOUT THE EXPRESSED WRITTEN CONSENT OF SAMTEC, INC.



520 PARK EAST BLVD, NEW ALBANY, IN 47150  
 PHONE: 812-944-6733 FAX: 812-948-5047  
 e-Mail info@SAMTEC.com code 55322

DO NOT SCALE DRAWING

SHEET SCALE: 1.25:1

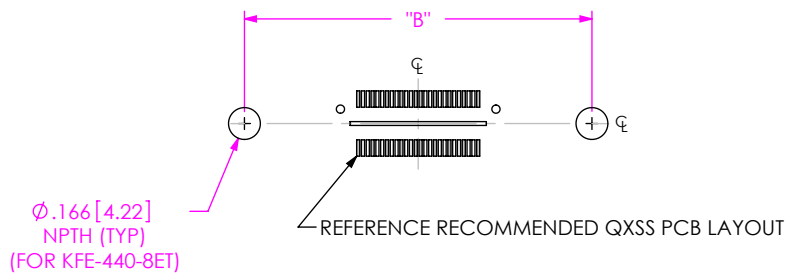
DESCRIPTION: 6QDPX APPLICATIONS

DWG. NO. 6QDPX WITH SCREW-DOWN OPTIONS

BY: BRATCHER 01/05/2005 SHEET 1 OF 2

**RECOMMENDED LAYOUT FOR -EM SCREW DOWN OPTIONS**

( $\phi$ .166[4.22] HOLES CENTERED ON QXSS LAYOUT)  
(SHADED POSITIONS GROUNDED ON 6QDPS SERIES)

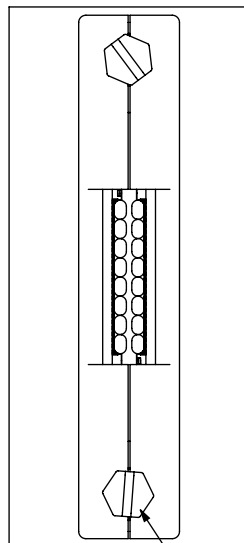


**TABLE 2**

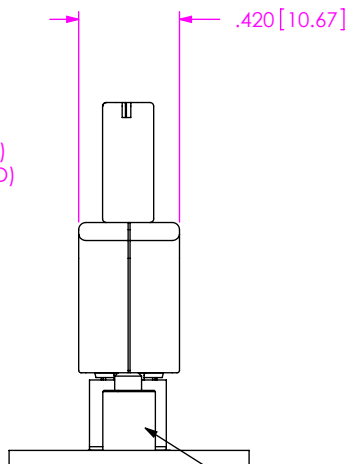
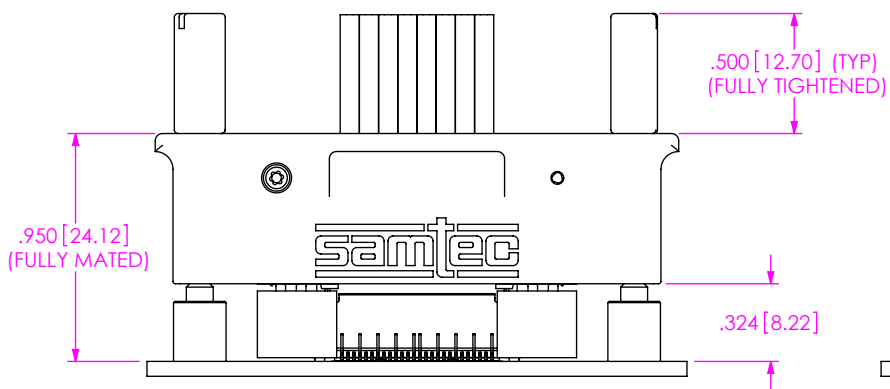
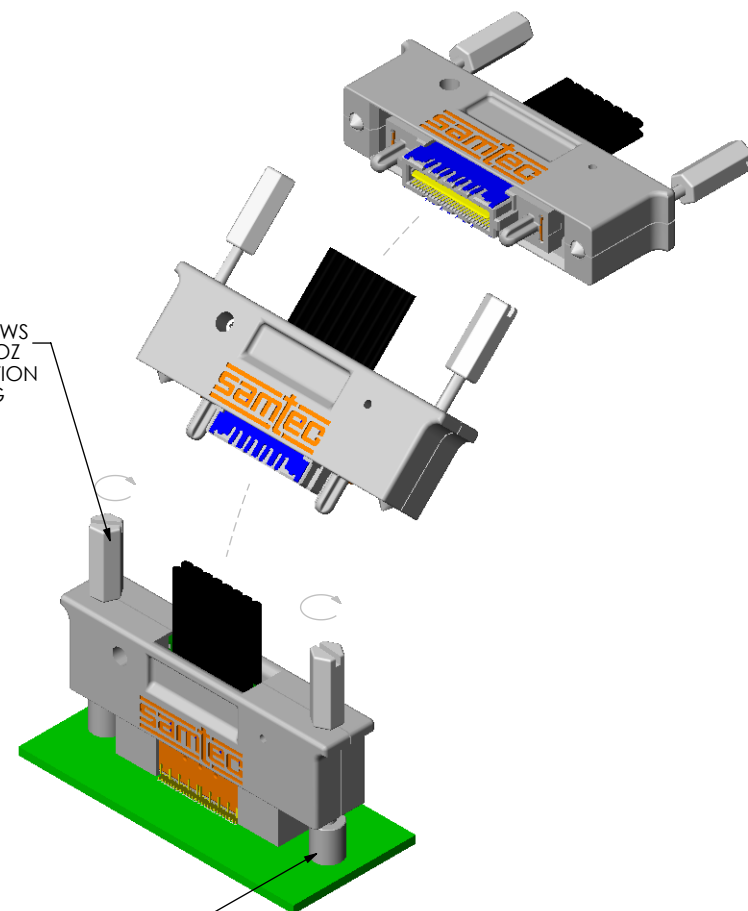
No. OF POSITIONS	"B"
-016	1.810 [45.97]
-032	2.650 [67.31]
-048	3.490 [88.65]
-064	4.330 [109.98]

**6QDPX-EM WITH ANY SCREW-DOWN OPTION**

NOTE: ALL DIMENSIONS ARE FOR REFERENCE ONLY



CAPTIVE PANEL SCREWS  
MAX TORQUE 2-4 IN-OZ  
(MAX TORQUE RECOMMENDATION  
CAN BE INCREASED IF HOUSING  
BOTTOMS OUT ON STANDOFF)



KFE-440-8ET (TYP) PEM SELF-  
CLENCHING FASTENERS  
(www.pemnet.com)

**PROPRIETARY NOTE**  
THIS DOCUMENT CONTAINS INFORMATION  
CONFIDENTIAL AND PROPRIETARY TO  
SAMTEC, INC. AND SHALL NOT BE REPRODUCED  
OR TRANSFERRED TO OTHER DOCUMENTS OR  
DISCLOSED TO OTHERS OR USED FOR ANY  
PURPOSE OTHER THAN THAT WHICH IT WAS  
OBTAINED WITHOUT THE EXPRESSED WRITTEN  
CONSENT OF SAMTEC, INC.

DO NOT SCALE DRAWING

SHEET SCALE: 1:25:1



520 PARK EAST BLVD, NEW ALBANY, IN 47150  
PHONE: 812-944-6733 FAX: 812-948-5047  
e-Mail: info@SAMTEC.com code 55322

DESCRIPTION:  
6QDPX APPLICATIONS

DWG. NO.  
6QDPX WITH SCREW-DOWN OPTIONS

BY: BRATCHER 01/05/2005 SHEET 2 OF 2